

AQUAFILT – UPVC cartridge filter housing

CWC cartridge filter system, Aquafilt is high precision. It consists of the housing and cartridge elements, mainly used in pretreatment. It can be widely used in electronics industry, sewage treatment beverage, foods, pure water treatment, also it can acts as home water purification equipment.

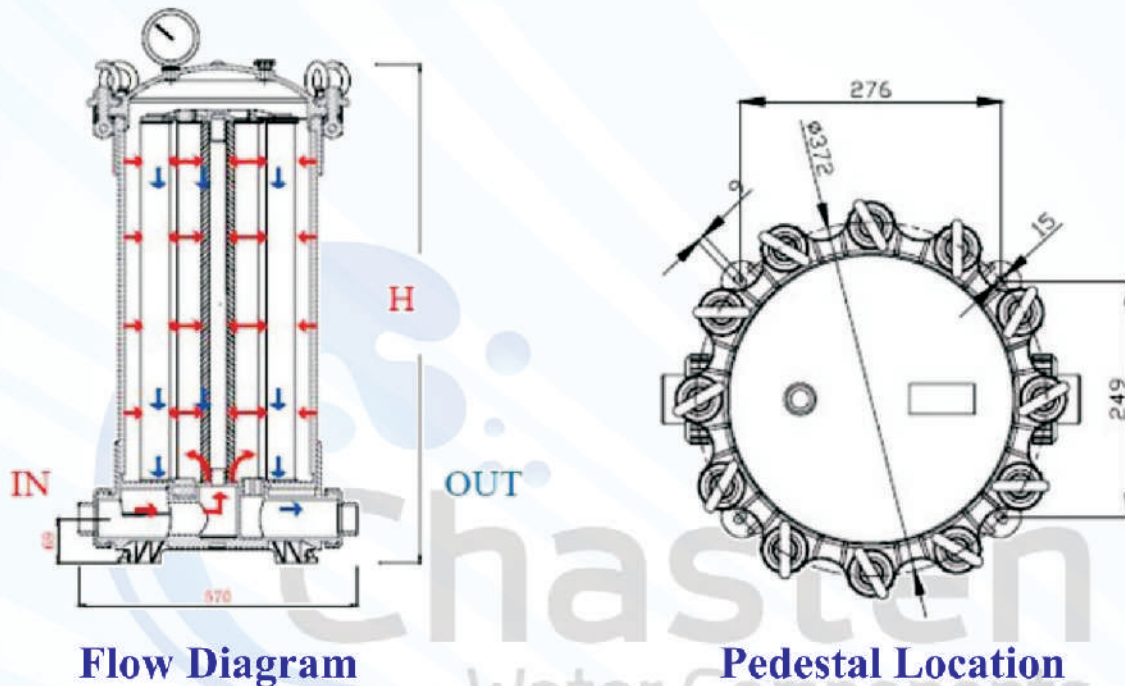


Operating Information:

Type		Size(mm)	Cartridge pcs	Cartridge size	In/out (mm)	Drainer (mm)	Max pressure
CWC -9DC2	CWC-8DC2	Ø315-H745	9/8	20"	DN80/ ANSI 3"	DIN1/2" or ANSI1/2"	105 PSI
CWC-9DC3	CWC-8DC3	Ø315-H995		30"			
CWC-9DC4	CWC-8DC4	Ø315-H1245		40"			

Note:

It can install all material; all precision's cartridge 9 PCS or 8 PCS, which I.D. is 28-30mm, O.D. is 65-70mm. The highest working temperature is 45° c, The size of the two holes in the lid of the filter is G1/4". If the thread of the pressure gauge is metric standard, should add an adaptor and on another side vent is mounted.



Product Merits :

1. All the parts of this series filters are made of UPVC material.
2. The inlet and outlet are in the same line, which connected with the pipe is a 3" union.
3. The distribution system of HPCF filter is distributed from bottom to top. Water is well-proportioned with small strike to cartridges and air is easy to be discharged.
4. The bottom system of HPCF filter is designed together as a whole with the top localizer & closure system.
5. The lid and the body are connected using eyebolts flange method, Ensure a good seal performance and ensure the filter can stand higher pressure.
6. HPCF filter is corrosion resistant; it can be used in SS-none-replace field